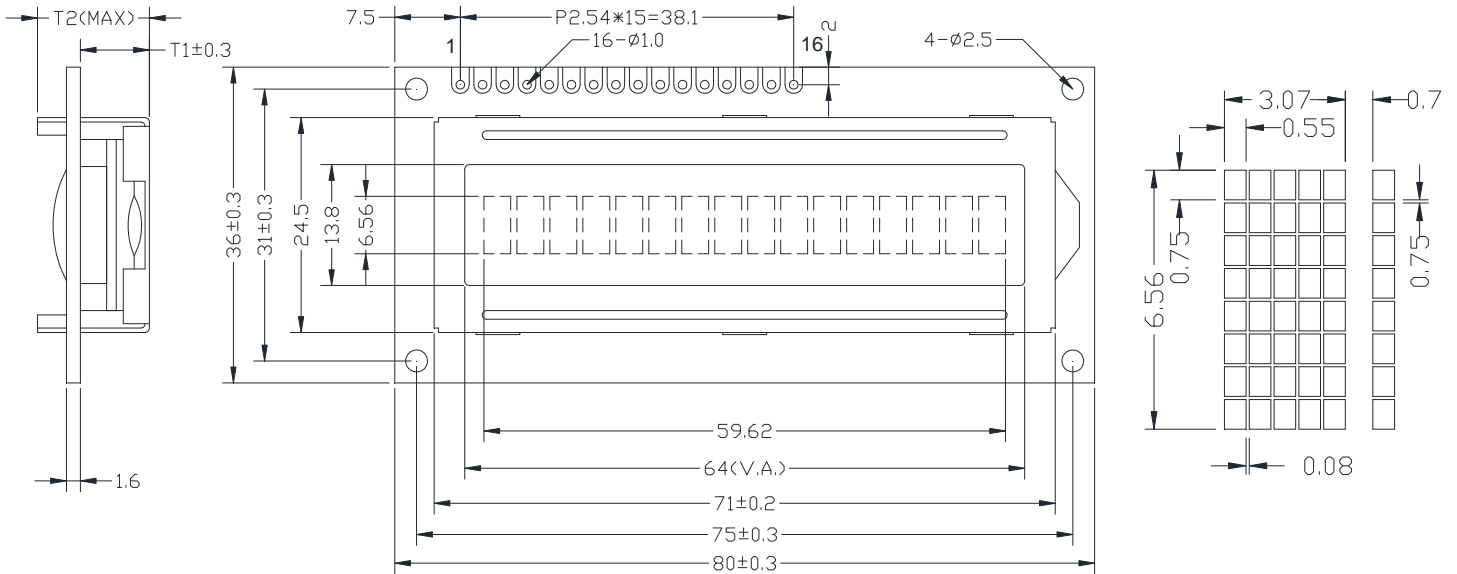


# (16CH \* 1L)

## EXTERNAL DIMENSION



	T1	T2	UNIT
WITHOUT BKL	4.6	9.5	mm
SIDE BKL	7.0	12.0	mm
ARRAY BKL	8.5	13.5	mm

### Feature

1. 16 Character X 1-line Character Format; 5X7 dots + 1-Cursor line.
2. The LCD uses the SPLC780D Series LCD Driver from SUNPLUS
3. Interface With 4-bit or 8-bit MPU; 1/16 Duty cycle, 1/5 Bias.
4. Display Mode & Backlight Variations.
5. ROHS Compliant

## PIN CONNECTIONS

<b>PIN NO</b>	<b>1</b>	<b>2</b>	<b>3</b>	<b>4</b>	<b>5</b>	<b>6</b>	<b>7</b>	<b>8</b>
<b>SYMBOL</b>	<b>VSS</b>	<b>VDD</b>	<b>V0</b>	<b>RS</b>	<b>R/W</b>	<b>E</b>	<b>DB0</b>	<b>DB1</b>
<b>PIN NO</b>	<b>9</b>	<b>10</b>	<b>11</b>	<b>12</b>	<b>13</b>	<b>14</b>	<b>15</b>	<b>16</b>
<b>SYMBOL</b>	<b>DB2</b>	<b>DB3</b>	<b>DB4</b>	<b>DB5</b>	<b>DB6</b>	<b>DB7</b>	<b>LED+</b>	<b>LED-</b>

## BLOCK DIAGRAM

