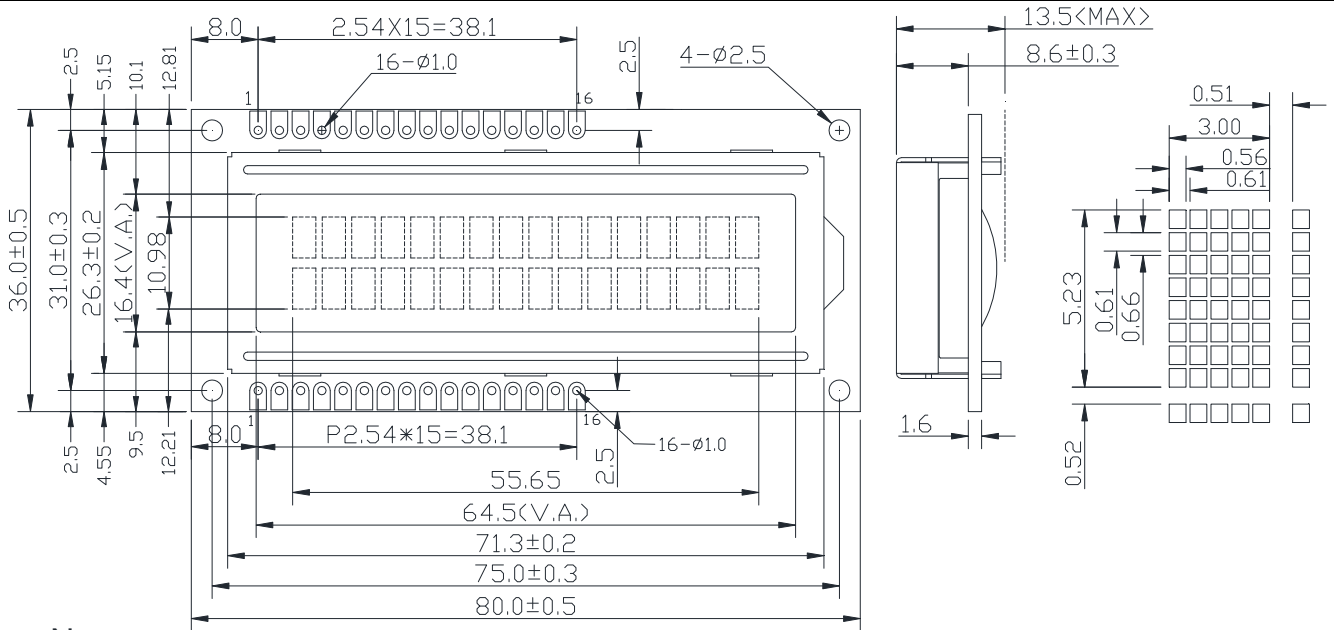


# (16CH \* 2L)

## EXTERNAL DIMENSION



### Notes:

- 1). Driver Method: 1/16duty, 1/5bias, VDD5.0V VLCD4.5V
- 2). Operating Temp: -20°C~70°C/Storage Temp: -30°C~80°C
- 3). Driver: SPLC780D/4bit or 8bit MPU
- 4). RoHS Compliant

## PIN CONNECTIONS

<b>PIN NO</b>	<b>1</b>	<b>2</b>	<b>3</b>	<b>4</b>	<b>5</b>	<b>6</b>	<b>7</b>	<b>8</b>
<b>SYMBOL</b>	<b>VSS</b>	<b>VDD</b>	<b>V0</b>	<b>RS</b>	<b>R/W</b>	<b>E</b>	<b>DB0</b>	<b>DB1</b>
<b>PIN NO</b>	<b>9</b>	<b>10</b>	<b>11</b>	<b>12</b>	<b>13</b>	<b>14</b>	<b>15</b>	<b>16</b>
<b>SYMBOL</b>	<b>DB2</b>	<b>DB3</b>	<b>DB4</b>	<b>DB5</b>	<b>DB6</b>	<b>DB7</b>	<b>LED+</b>	<b>LED-</b>

## BLOCK DIAGRAM

