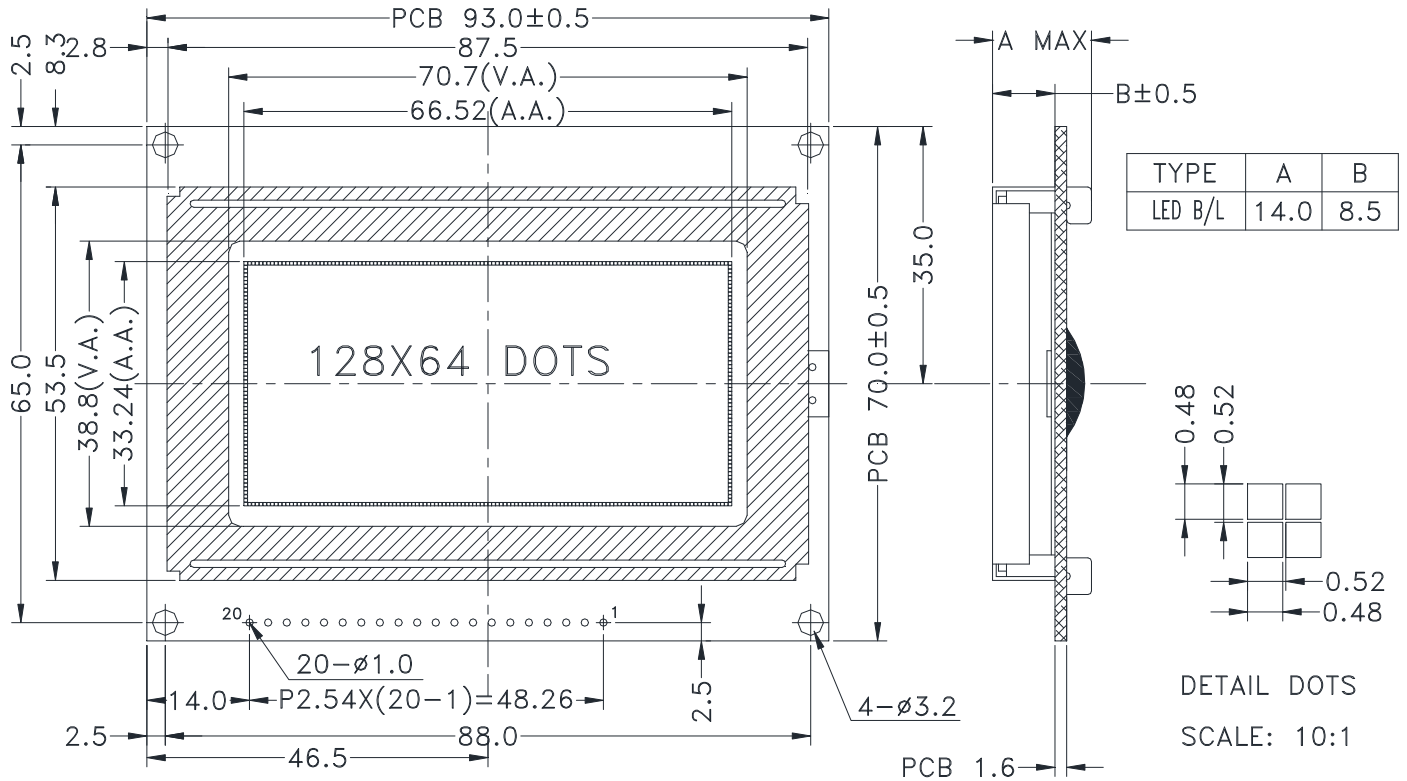


(128 * 64 DOTS)

EXTERNAL DIMENSION



SPECIFICATIONS

1. LCD DRIVING VOLTAGE: 9.0V
2. LOGIC VOLTAGE: 5.0V
3. OPERATING TEMP: -2 0°C~70°C
4. STORAGE TEMP: -3 0°C~80°C
5. DRIVE MODE: 1/64 DUTY,1/9 BIAS
6. OTHER:
MECHANICAL TOL.±0.3 UNLESS SPECIFIED

PIN CONNECTIONS

PIN NO	1	2	3	4	5	6	7	8	9	10
SYMBOL	VSS	VDD	V0	D/I	R/W	E	DB0	DB1	DB2	DB3
PIN NO	11	12	13	14	15	16	17	18	19	20
SYMBOL	DB4	DB5	DB6	DB7	/RES	CS1	CS2	VEE	LED+	LED-