

## TERMINAL FUNCTIONS

Pin	Name	Descriptions															
1	DB7	8 bit Data Bus															
:	:	These state I/O Terminal for display data or instruction data															
8	DB0																
9	E	In Read Mode, R/W = H; Data read from the LCD Module while E = H and the device is being selected.															
10	R/W	In Write Mode, R/W = L; Data write to the LCD Module, at E = H->L and device is being selected.															
11	RS	Register Select RS=HIGH: Transferring Display Data RS=LOW: Transferring Instruction Data															
12	V0	LCD Contrast Reference															
13	VDD	Positive Power Supply															
14	VSS	0V Power Supply, Ground															
15	CSA	Chip Selection															
16	CSB	Enable access to each section of the LCD module															
		<table border="1"> <thead> <tr> <th>CSB</th> <th>CSA</th> <th>Function</th> </tr> </thead> <tbody> <tr> <td>0</td> <td>0</td> <td>Enable access to the Left Side (64 column) of the LCD module</td> </tr> <tr> <td>0</td> <td>1</td> <td>Enable access to the Middle (64 column) of the LCD module</td> </tr> <tr> <td>1</td> <td>0</td> <td>Enable access to the Right Side (64 column) of the LCD module</td> </tr> <tr> <td>1</td> <td>1</td> <td>Disable all the access to LCD module</td> </tr> </tbody> </table>	CSB	CSA	Function	0	0	Enable access to the Left Side (64 column) of the LCD module	0	1	Enable access to the Middle (64 column) of the LCD module	1	0	Enable access to the Right Side (64 column) of the LCD module	1	1	Disable all the access to LCD module
CSB	CSA	Function															
0	0	Enable access to the Left Side (64 column) of the LCD module															
0	1	Enable access to the Middle (64 column) of the LCD module															
1	0	Enable access to the Right Side (64 column) of the LCD module															
1	1	Disable all the access to LCD module															
17	VOUT	Power Booster Output for V0															
18	RSTB	Reset Signal RSTB=L, Reset RSTB=H, Normal running															
19	BLA	LED Backlight Positive Power Supply															
20	BLK	LED Backlight Negative Power Supply															

## DISPLAY CHARACTERISTICS

Item	Value
LCD Display Mode*	STN-YG, Positive, Transflective
Viewing Angle	6:00
Driving Method	1/64 duty, 1/9 bias
Backlight <sup>#</sup>	YG LED Backlight

## MECHANICAL DATA

Item	Value
Outline (mm)	100.0 x 60.0 x 12.5MAX
Viewing Area (mm)	84.0 x 31.0
Active Area (mm)	78.68 x 26.2
Dot Pitch (mm)	0.41 x 0.41
Dot Size (mm)	0.37 x 0.37

## ABSOLUTE MAXIMUM

Item	Symbol	Min	Max
Operating Voltage (V)	V <sub>DD</sub>	0	7.0
Operating Temperature (°C)	T <sub>OP</sub>	-20	+70
Storage Temperature (°C)	T <sub>ST</sub>	-30	+80

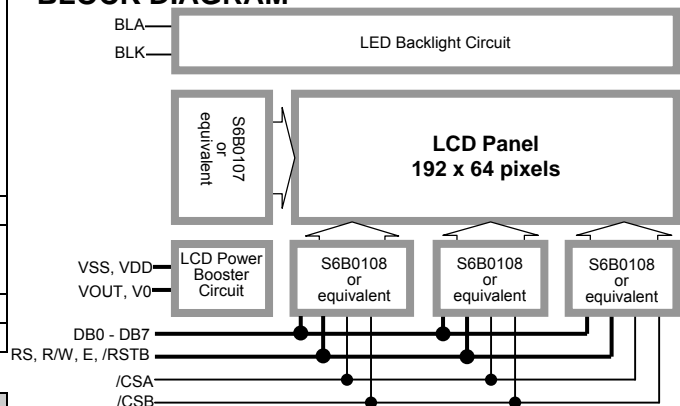
## ELECTRICAL CHARACTERISTICS

Item	Symbol	Min	Typ	Max
Operating Voltage (V)	V <sub>DD</sub>	4.8	5.0	5.2
Input High Voltage (V)	V <sub>IH</sub>	3.5	-	V <sub>DD</sub>
Input Low Voltage (V)	V <sub>IL</sub>	0	-	0.4
Operating Current (mA)	I <sub>DD</sub>	-	7.5	15.0

## BACKLIGHT CHARACTERISTICS

Item	Symbol	Min	Typ	Max
Forward Voltage (V)	V <sub>fBLA</sub>	-	5.0	-
Forward Current (mA)	I <sub>fBLA</sub>	-	180	210

## BLOCK DIAGRAM



## LM19264A series

Major Models	Highlight	
	LCD Mode	#Backlight
LM19264ABY*	STN-YG	YG LED
LM19264ACW	FSTN-Pos	White LED
LM19264AFW	STN-Blue	White LED

For similar product or (semi) custom made LCD module, please visit our web site or contact us.

\*The above product information is based on this model.