

TERMINAL FUNCTIONS

Pin	Name	Descriptions
1	FG	Frame Ground
2	VSS	0V Power Supply, Ground
3	VDD	Positive Power Supply
4	V0	LCD Contrast Reference Input
5	/WR	Write enable input, active LOW
6	/RD	Read enable input, active LOW
7	/CE	Chip Enable Signal
8	C/D	Address for Data or Command C/D=H, /WR=L, /RD=H: Command Write C/D=H, /WR=H, /RD=L: Status Read C/D=L, /WR=L, /RD=H: Data Write C/D=L, /WR=H, /RD=L: Data Read
9	NC	No connection (leave open)
10	/RST	Reset Signal /RST = L, Reset the LCD Module /RST = H, Normal Running
11	DB0	8-bit bi-directional data bus
:	:	
18	DB7	
19	FS1	Font Selection Input FS1=H: 6X8 font FS1=L: 8X8 font
20	VOUT	Power Booster Output for V0
21	BLA	LED Backlight Positive Power Supply
22	BLK	LED Backlight Negative Power Supply
23	BLA	LED Backlight Positive Power Supply
24	NC	No connection (leave open)
25	BLK	LED Backlight Negative Power Supply

DISPLAY CHARACTERISTICS

Item	Value
LCD Display Mode*	FSTN, Positive, Transflective
Viewing Angle	6:00
Driving Method	1/128 duty, 1/12 bias
Backlight	White LED backlight

MECHANICAL DATA

Item	Value
Outline (mm)	144.0 x 104.0 x 12.3 MAX.
Viewing Area (mm)	114.0 x 64.0
Active Area (mm)	107.97 x 57.57
Dot Pitch (mm)	0.45 x 0.45
Dot Size (mm)	0.42 x 0.42

ABSOLUTE MAXIMUM

Item	Symbol	Min	Max
Operating Voltage (V)	V _{DD}	0	6.0
Operating Temperature (°C)	T _{OP}	-20	+70
Storage Temperature (°C)	T _{ST}	-30	+80

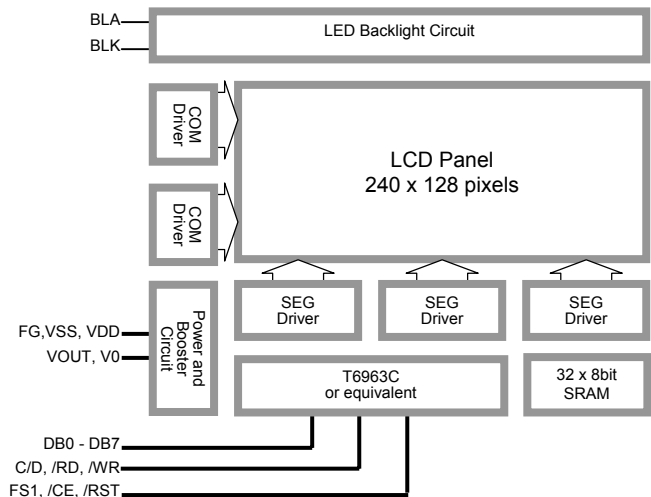
ELECTRICAL CHARACTERISTICS

Item	Symbol	Min	Typ	Max
Operating Voltage (V)	V _{DD}	4.5	5.0	5.5
Input High Voltage (V)	V _{IH}	0.8V _{DD}	-	V _{DD}
Input Low Voltage (V)	V _{IL}	V _{SS}	-	0.5
Operating Current (mA)	I _{DD}	-	15.5	37.0

BACKLIGHT CHARACTERISTICS

Item	Symbol	Min	Typ	Max
Forward Voltage (V)	V _{FBLA}	-	5.0	-
Forward Current (mA)	I _{fBLA}	-	170	200

BLOCK DIAGRAM



LM240128T series

Major Models	Highlight	
	* LCD Mode	Backlight
LM240128TBV	STN-YG	YG
LM240128TCW*	FSTN-Pos	White
LM240128TFW	STN-Blue	White
LM240128TGG	FSTN-Neg	White

For similar product or (semi) custom made LCD module, please visit our web site or contact us.

*The above product information is based on this model.